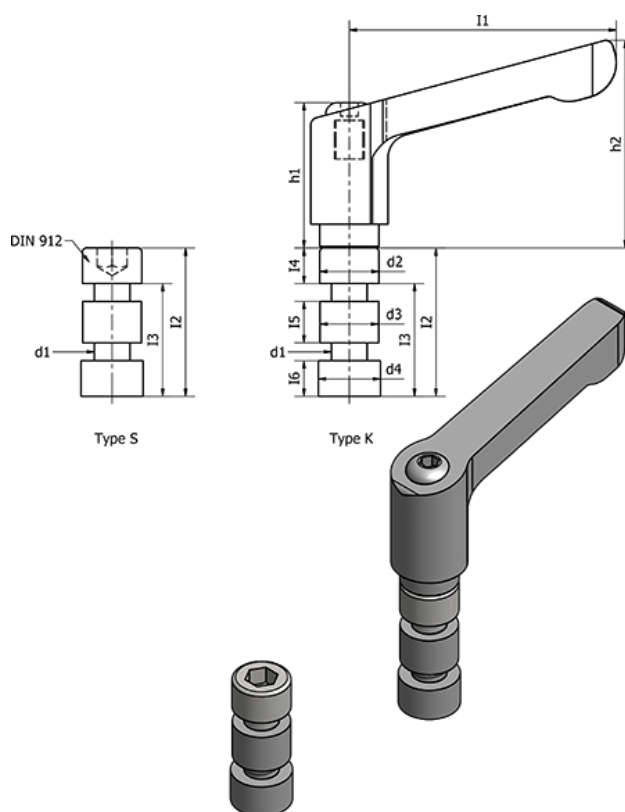


Data Sheet



Article number: 205111M625K
Description: E+G Clamping kit
GN 511.1-M6-25-K

Measures



d1 = 6	l3	= 18.5
d2 = 10.5	l4	= 6.5
d3 = 9.9	l5	= 7
d4 = 10.5	l6	= 6
h1 = 24.5	Weight (g)	= 120
h2 = 35		
l1 = 45		
l2 = 25		